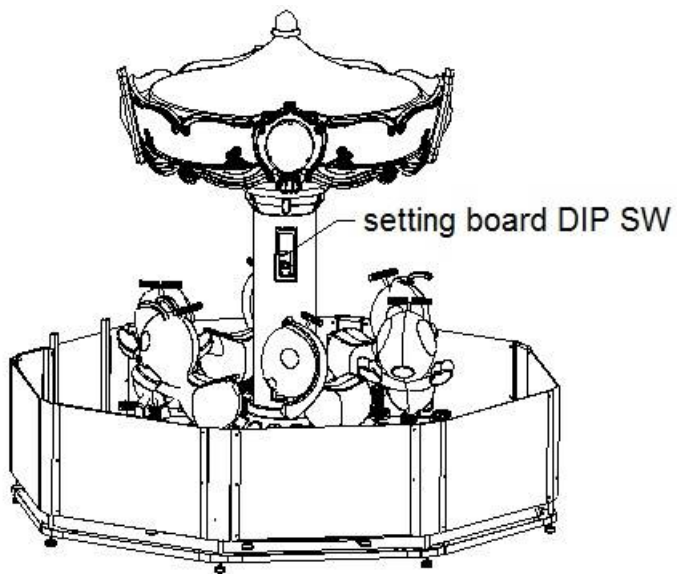


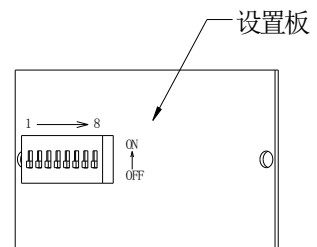
Game setting

Game setting instruction:

- 1) Open the door of coin mech, find DIP SW1 on setting board.



Setting board



2) Setting chart

SETTING		DIP SW1							
		1	2	3	4	5	6	7	8
No. of coin per play	1 coin	OFF	OFF						
	2 coins	ON	OFF						
	3 coins	OFF	ON						
	5 coins	ON	ON						
Game time per play	60 seconds			OFF	OFF				
	90 seconds			ON	OFF				
	120 seconds			OFF	ON				
	180 seconds			ON	ON				
Demo time (Waiting time for playing background music)	120 seconds					OFF	OFF		
	180 seconds					ON	OFF		
	90 seconds					OFF	ON		
	No Demo					ON	ON		

No. of coin per play: this setting decides how many pcs coins for each play.

Game time for each play: this setting decides how long each play will last.

Waiting time for playing background music: this setting decides how long the waiting time will be for automatically playing background music. If set 120 seconds, after game over and waiting 120 sec, machine will play background music.

SCHEMATIC DIAGRAM

