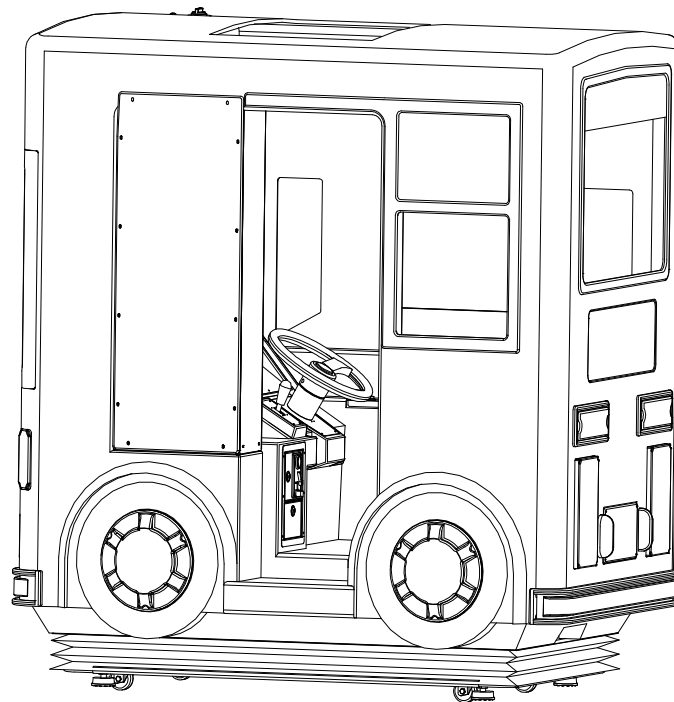


HAPPY BUS MANUAL



Tel : (TAIWAN) : +886-2-2255-2636

Tel : (CHINA) : +8620-84851613

www.tecway.com.tw

Fax (TAIWAN) : +886-2-2255-6366

Fax (CHINA) : +8620-84559322

www.mecpower.com.cn

HOW TO PLAY:

- 1) sit on the bus insert coins,, wait for a few seconds to start the game.
- 2) turn the steering wheel to control the heading direction of the bus, and press the gear lever to speed up.
- 3) press the button of screen wiper, there will be rain brush effect on the sceen.
- 4) press the teaching button, the screen will teach the name of the objects.
- 5) press on / off bus button, the machine will have prompt sound of get on / get off.
- 6) press open / close door button, the demonstration door will be in the open or close state.

Technical parameter

service voltage: AC220V/110V (50/60HZ)

maximum current : 6A/12A

(Note: the actual use of voltage and current, please see the machines nameplate)

Maximum power: 1000W

Standby power: 150W

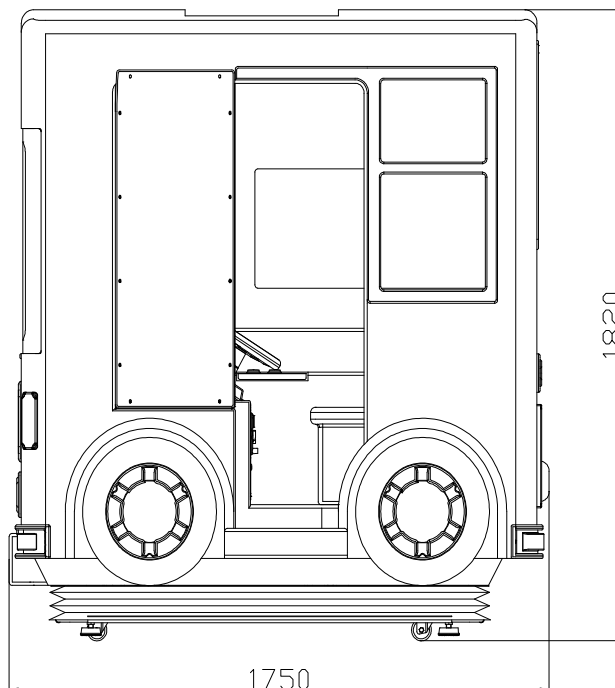
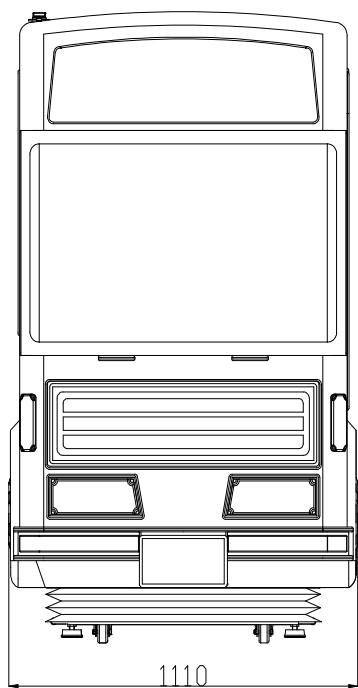
Token size range: ϕ 21mm ~ ϕ 30mm

Token thickness range: 1.2mm ~ 2.5mm







coin box size: ϕ 25mm*1.5mm about1600pcs

Environment requirement: room temperature requires: -5 ~ 40 degrees, environmental humidity > 90%, no corrosive liquid directly contact, without excessive oil, mist, dust

External dimension: L1750mm*W1110mm*H1820mm

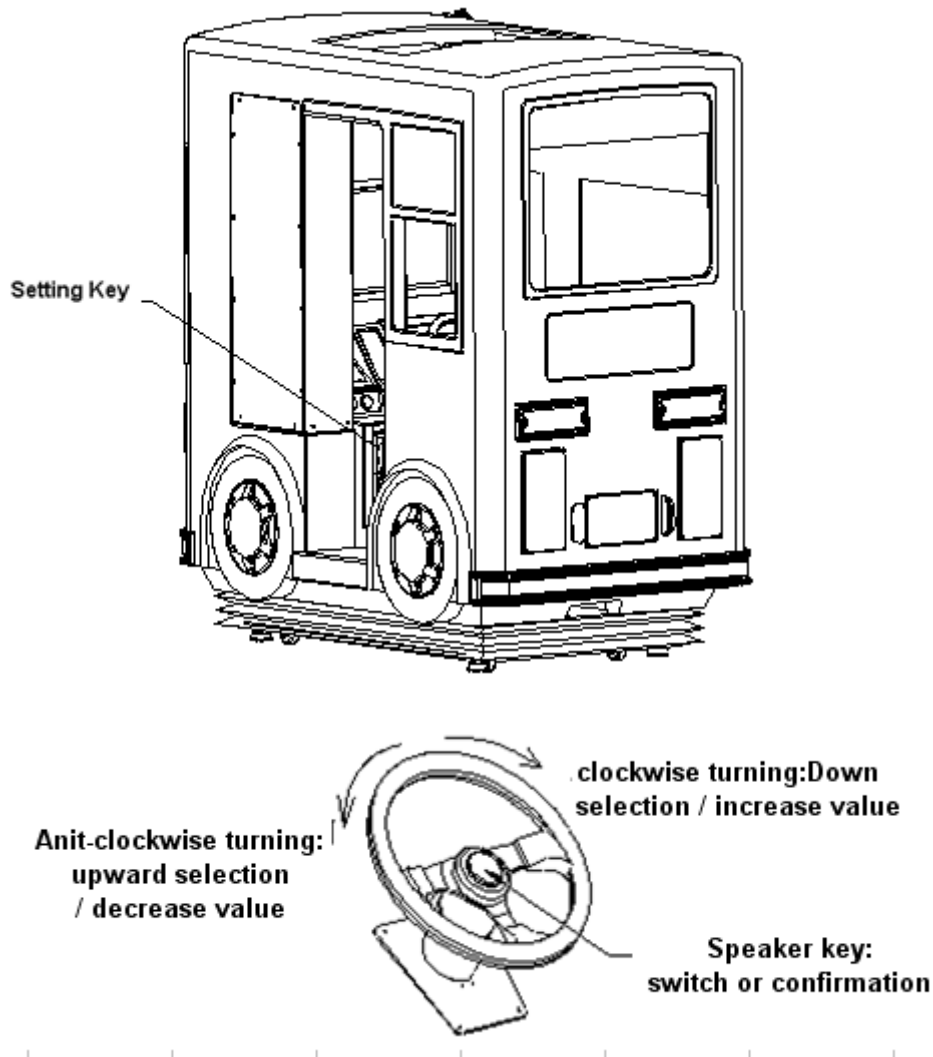


Attached spare parts:

NO.	pattern	name	model	Qty
1		Socket LED light	12V white	1 pc
2		Micro switch		1 pc
3		Key	1285#	2 pcs
4		key	1396#	2 pcs
5		Power line		1 pc
6		Manual		1 pc

Game setting operation method

Game setting button instruction:



TEST/ setting key: enter the game settings interface.

SERVE/ free key: free play.

The steering wheel: clockwise turning the steering wheel to down select the item / increase the changed value, anti-clockwise turning the steering wheel to select items / reduce the changed value.

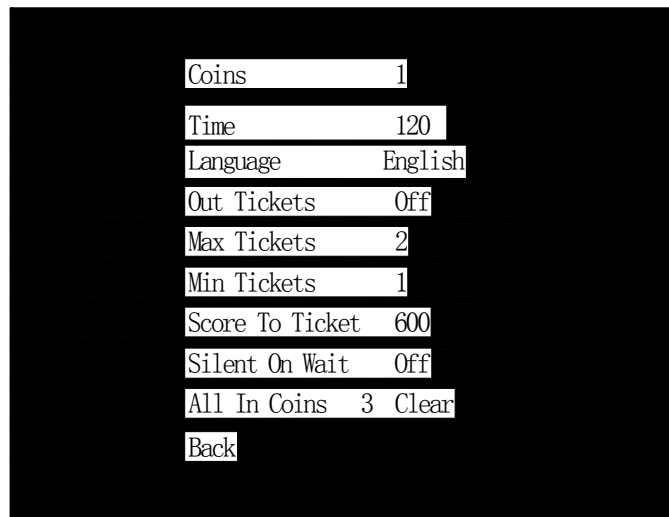
Speaker key: Item switch or confirmation.

Set operation method:

Setting operation method: press the "test" key on the setting panel, enter the game content setting interface; turn the steering wheel to select items that you need to change; press the horn button switch to the changed item ; clockwise / anti-clockwise rotating the steering wheel to change the content; pressing the horn button switch to the item selection; select "exit", press the horn button to exit setting.

Set description

Game parameter settings :



Setting instruction:

Coins for 1 game: If set for "1" , it means insert 1 coin can play 1 time.

Times for 1 game: If set for "120 sec" , each game time is 120 seconds

Language: 。 If set for "Chinese" , the screen displays in Chinese; If set for "English" , the screen displays in English.

Out tickets: This item is invalid in this machine.

Max tickets: This item is invalid in this machine.

Min tickets: This item is invalid in this machine.

Score to ticket: This item is invalid in this machine.

Silent on wait: If set for “off” , the standby music plays during standby status.

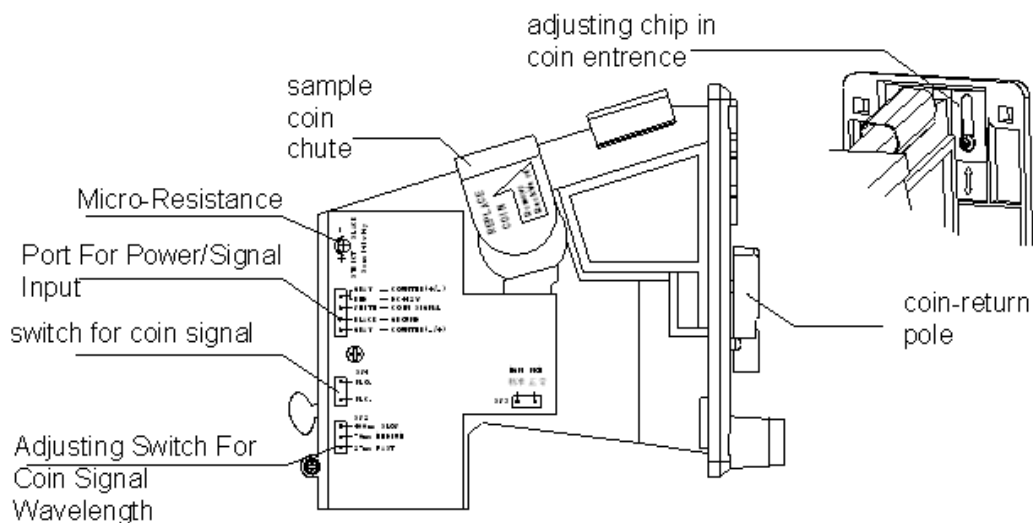
All in coins: This setting is to decide whether “zero clear” the number of coins.

If set for “clear” , the coins number will be reset to “0” .

Back/Exit: exit the setting。

9.1 Adjustment

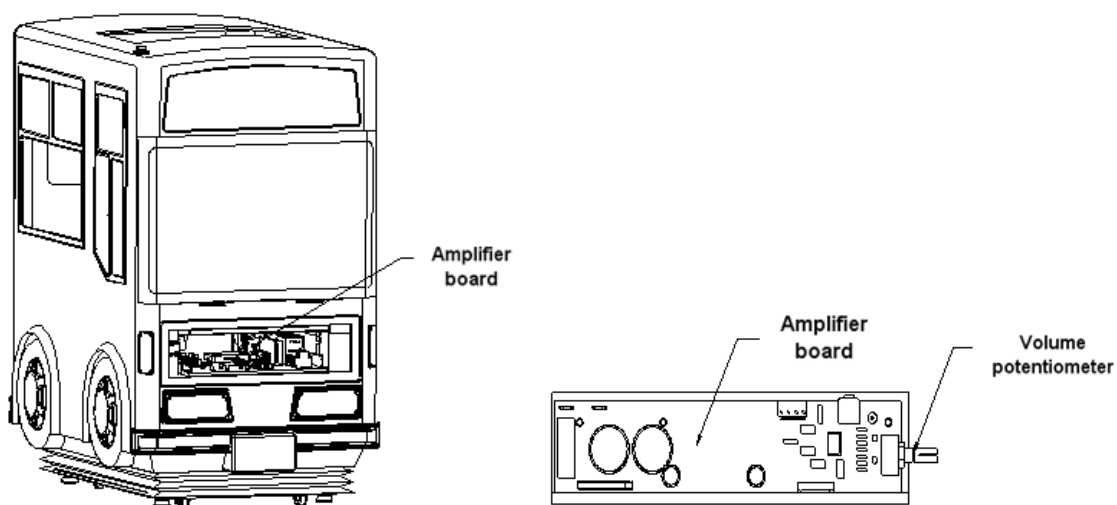
coin selector adjustment



Descriptions:

- 1) Please take out the plastic coin from sample coin chute and replace it with token.
- 2) Remove the screws on back of coin entrance. Adjust the fixing chip on back of coin entrance according to the token's diameter, which prevent blocking the coin mech as inserting the large coin in by mistake.
- 3) Turn the COIN Switch to "NO" (COIN Signal wire and GND should be disconnected at usual time). Turning switch can be used as the coin mech switch when the game is power on.
- 4) Adjust the adjusting switch of COIN Signal wave length to 50MS.
- 5) Adjust the micro-adjusting resistance of token tolerance. Clockwise: increasing the sensitivity of token tolerance, that is, the range of accepting the token tolerance will be larger. Counter clockwise: decrease the sensitivity, that is, the range will be smaller and choose the token more strictly.

Volume adjusting



Adjust the volume: open the happy bus maintenance door, find the volume potentiometer that on amplifier board to adjust the volume of the machine. Clockwise screw the potentiometer to enlarge the output volume; anti clockwise screw potentiometer to diminish the output volume.

WARNING: When screwing the volume potentiometer, please screw slowly, do not quickly twist dynamic volume potentiometer to the rightmost, prevent the sudden increase in the high volume of output to burn out the speaker.

Inspection & maintenance

Daily Inspection

items	contents
coin selector	Check whether the coin selector is normal used
Steering wheel	Check whether the steering wheel rotation can control the direction of the bus.
Console uttons	Check whether the console buttons can normally operates.
Machine swinging	Check if the machine is able to swing normally.
sound	Check whether there's sound and whether the volume is moderate
Screen interface	Check whether the screen has a screen and display and whether the color is normal
Temperature, humidity	Check whether the surrounding environment, temperature and humidity is too high

Daily maintainance

items	contents
Out shell of whole machine	clean the machine with clean water and water absorb paper.
monitor biochip	clean the screen with clean water and water absorb paper.
Circuit board	With a small brush to clean the dust and dirt on the circuit board

Failure & trouble shooting

Before you seek help of technical support service when you installing and using the machine to encounter any problem, it is recommended that you check the following sheet to seek solutions first.

Trouble shooting sheet:

Failure	possible reason	Solution
do not accept coins	lack of sample token sensitivity is too high coin mech defective	put a sample token in the sample token slot adjust sensitivity of coin mech replace coin mech
walking light not shining	walking light control wire not through walking light is defective walking light drive board defective	connect walking light control wire replace walking light repair or replace walking light drive board
no movement of motor	motor wire is blocked up motor drive inverter failure motor is defective	connect the motor wire reset or repair the inverter replace the motor
button invalid	Switch line is not through switch is defective	connect switch wire replace switch
no display	monitor power line is loosen monitor signal line not connected monitor defective mainboard defective	fasten the monitor power line connect monitor signal line replace the monitor replace the mainhost
no sound	horn line is loosen volume is too low Horn is defective	connect the horn wire adjust the volume potentionmeter of the amplifier board replace the power supply circuit
no movement of whole machine	no AC 110V/220V input voltage Leakage protection switch is off out put voltage from power supply mainboard not start up	check the power line and City power supply line check if the wiring is short circuit repair or replace power supply replace the mainboard